

A200-HH
A210-HH
A230-HH

Handheld 3 Phase Power Analyzers

A200-HH



Portable display unit for all DME4 transducers

- Easy connection to DME4 transducers via RS232 cable
- DME4 output of analogue and digital values resp. bus functions for LON, Profibus and Modbus remain untouched
- First class accuracy of 0.15% (V, I) resp. 0.2% (power and meter data)

A210-HH



3 phase power analyzer with load profile recorder

- 4-quadrant measurement of all values in AC systems
- 2 load profile recorders for active, reactive power
- Energy meters for active and reactive energy
- RS232 interface to your PC and easy to use software

A230-HH



3 phase power quality analyzer, load profil/average value recorder

- Adds functions for system and load analysis to the features of A210-HH
- Measurement of harmonics, THD, asymmetry, comprehensive average and max/min. values
- Average value and load profile recording (up to 14 measurands)

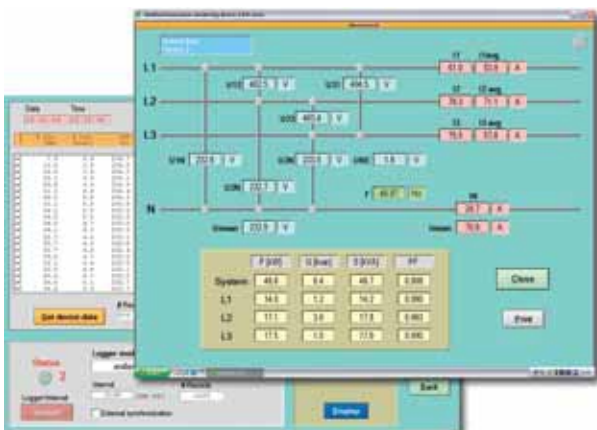
Technical Data

	A200-HH	A210-HH	A230-HH
Connection types	–	Single phase, 3/4 wire balanced and unbalanced	
Voltage range	–	L-L: 0 – 600 V, L-N: 0 – 346 V	
Current range	–	3x 0 – 240 A over current clamps WZ11 (other ranges on request)	
EN 61 010-1 safety standard (pollution level 2)	–	CAT III 300 V~; CAT II 600 V~	
Kit includes	A200-HH, RS 232 cable, Li-Ion battery, mains adaptor, hardcase	A210-HH resp. A230-HH, 3 current clamps WZ11, voltage cables with alligator clips, PC software, RS 232 cable, Li-Ion battery, mains adaptor, hardcase	
Accuracy (without current clamps)			
V, I	–	0.5 %	0.2 %
P, Q, S, PF, meters	–	1.0 %	0.5 %
F	–	0.02 Hz	0.02 Hz
14 mm LED display	4 digits + sign	3 digits + sign	4 digits + sign

General Characteristics (Preliminary)

Power supply	Rechargeable Li-Ion battery and mains adaptor
Autonomy (max. display brightness)	24 hours (23 °C)
Autonomy (min. display brightness)	>150 hours (23 °C)
Dimensions (l x w x h)	260 x 120 x 65 mm
Weight	0.7 kg

Printed in Switzerland • Subject to change without notice • Edition 03.04



Visualisation of present and recorded data via included PC software

CAMILLE BAUER

Camille Bauer LTD

Member of
GMC Instruments Group